



Member state
Czech Republic

OIML Certificate No.
R76/2006-CZ-16.06

OIML BASIC CERTIFICATE OF CONFORMITY

Issuing Authority

Name: Czech Metrology Institute
Address: Okružní 31,
638 00 Brno, CZ
Person responsible: Jan Kalandra

Applicant

Name: **RADWAG WAGI ELEKTRONICZNE Witold Lewandowski**
Address: **ul. Bracka 28**
26-600 Radom
Poland

Manufacturer of the certified type

Name: **RADWAG WAGI ELEKTRONICZNE Witold Lewandowski**
Address: **ul. Bracka 28**
26-600 Radom
Poland

Identification of the certified type

Non-automatic weighing instrument

Type: **MYA xxx.4Y.yy and XA xxx.4Y.yy**

Further characteristics see pages 3 - 10.

This certificate attests the conformity of above identified type (represented by the sample (s) identified in the OIML Basic Type Evaluation Report) with the requirements of the following Recommendation of the International Organization of Legal Metrology (OIML):

OIML R 76, edition 2006 for accuracy class ①

Member state
Czech Republic

OIML Certificate No.
R76/2006-CZ-16.06

This certificate relates only to the metrological and technical characteristics of the type of measuring instrument covered by the relevant OIML Recommendation identified above.

This certificate does not bestow any form of legal international approval.

The conformity was established by the results of tests and examinations provided in the associated OIML Basic Type Evaluation Report(s):

No. 6012-PT-CH021-15 from 4 December 2015 having 14 pages.

No. 8551-PT-E0179-15 from 31 August 2015 having 47 pages.

No. 8551-PT-E0202-15 from 19 October 2015 having 17 pages

Certificate history:

Issue no.	Date	Description of the modification



The OIML Issuing Authority
Pavel Klenovský

12 August 2016

Important note: Apart from the mention of the Certificate's reference number and the name of the OIML Member State in which the Certificate is issued, partial quotation of the Certificate and of the associated OIML Basic Type Evaluation Report(s) is not permitted, although either may be reproduced in full.

Instrument description

It is a non-automatic weighing instrument based on electromagnetic compensation. Instrument has steel/aluminum cover, stainless steel/aluminum plate, weighing chamber, automatic span adjustment with internal calibration mass and graphic display (touch screen display version). The type designation is XA xxx.4Y.yy MYA xxx.4Y.yy. Symbol xxx means Max (g) and symbol yy means special purpose of balance e.g. version for weighing filter (.F), pipettes (.P), version with automatically opening doors (.A)

Description of the instrument:

Description	Drawing number
Main view	Figure no 01, 02, 03, 04, 05, 06
Access to factory menu	Figure no 07
Display and Keyboard	Figure no 08 , 09
Sealing	XA4Y, XA4YA, MYA 4Y
Working schedule XA.4Y	XA4Y- 001, 002, 003,004; XA4YA – 001, 002
Working schedule MYA 4Y	MYA4Y- 001, 002, 003, 004, 005, 006

Metrological characteristic of model XA xxx.4Y.yy*

Model	XA 52.4Y.A	XA 82/220.4Y	XA 360.4Y
Max	52 g	220 g	360 g
Min	1 mg	1 mg	10 mg
Verification scale interval e	1 mg	1 mg	1 mg
Actual scale interval d	0,01 mg	0,01/0,1mg	0,1 mg
Tare (subtractive)	-52 g	-220 g	- 360 g
Temperature range	+18 / + 30 °C		
Accuracy class	I		

* This table gives an example of some models within the approved range

Metrological characteristic of model MYA xxx 4Y./yy*

Model	MYA 2.4Y	MYA 5.4Y	MYA 5.4Y.F	MYA 52.4Y
Max	2 g	5 g	5 g	52g
Min	0,01 mg	0,1 mg	0,1 mg	0,1 mg
Verification scale interval e	1 mg	1 mg	1 mg	1 mg
Actual scale interval d	0,0001mg	0,001 mg	0,001 mg	0,001 mg
Tare (subtractive)	-2 g	- 5 g	- 5 g	- 52 g
Temperature range	+18 / + 30 °C			
Accuracy class	I			

* This table gives an example of some models within the approved range

Characteristics and devices

The instruments must be equipped with a level indicator with a sensitivity of at least 2 mm for a tilt of 2/1000.

Devices:

- Zero indicator
- Stability of equilibrium determination
- Second interval indication
- Set up mode via a jumper on the digital module board
- Automatic span adjustment with internal calibration mass
- Checking the display
- Initial zero-setting
- Zero-tracking
- Printer
- Add display
- PC keyboard
- USB
- Ethernet

Data Storage Device (Alibi memory)

The MYA xxx.4Y and XA xxx.4Y balances are equipped with a Memory module (Alibi memory) used as a database system acting as a long term memory. It saves automatically weighing results according to WELMEC 2.5 guideline, using an embedded solid state USB disc. Data are protected against deletion for a given period (configurable). Balances software is running on Windows Embedded Compact 7. Protection is done by means of operating system and physical prevention of loading other software. Software is identified as whole package and identification is accessible via user interface.

Interfaces

Interfaces used must comply with 5.3.6 of OIML R76 (2006). Following interface is used: RS 232. Series 4Y have also USB, Ethernet, I/O.

Connectable devices

For applications not subject to mandatory verification, any peripheral devices may be connected.

Main view – XA xxx.4Y
Figure 01



Main view – XA xxx.4Y.A
Figure 02



Main view – XA xxx.4Y.F
Figure 03



Main view – MYA xxx.4Y
Figure 04



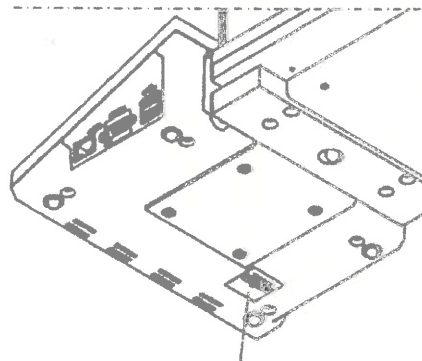
Main view – XA xxx.4Y.F
Figure 05



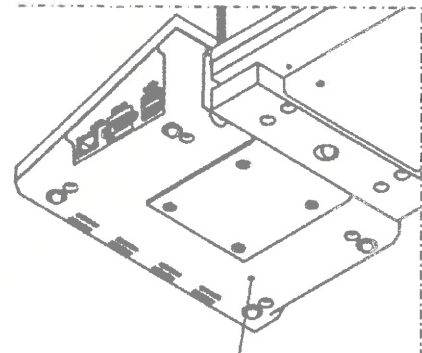
Main view – MYA xxx.4Y.P
Figure 06



ACCESS TO FACTORY MENU
MYA xxx.4Y and XA xxx.4Y
Figure No. 07

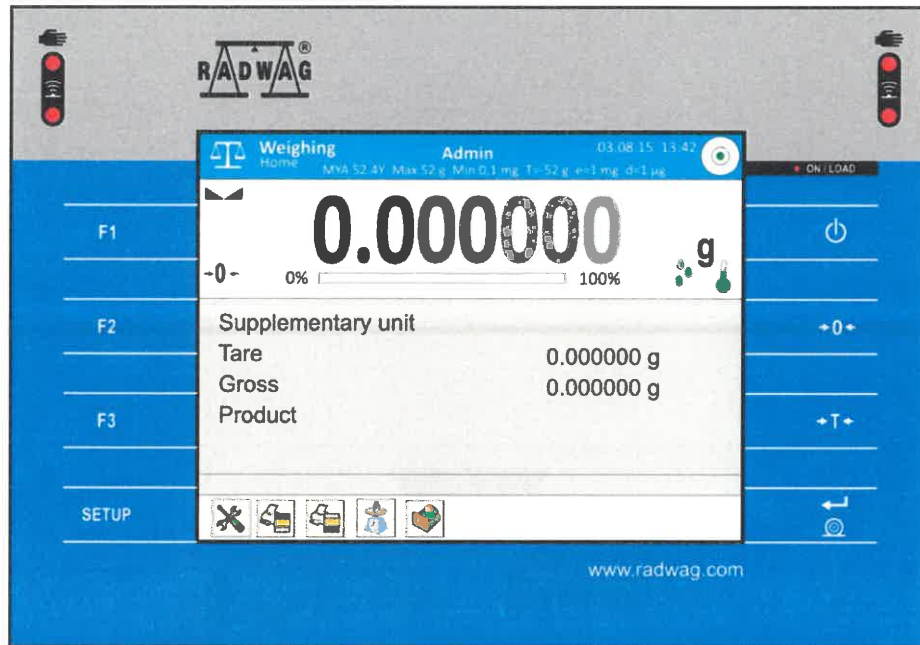


Legalization sign

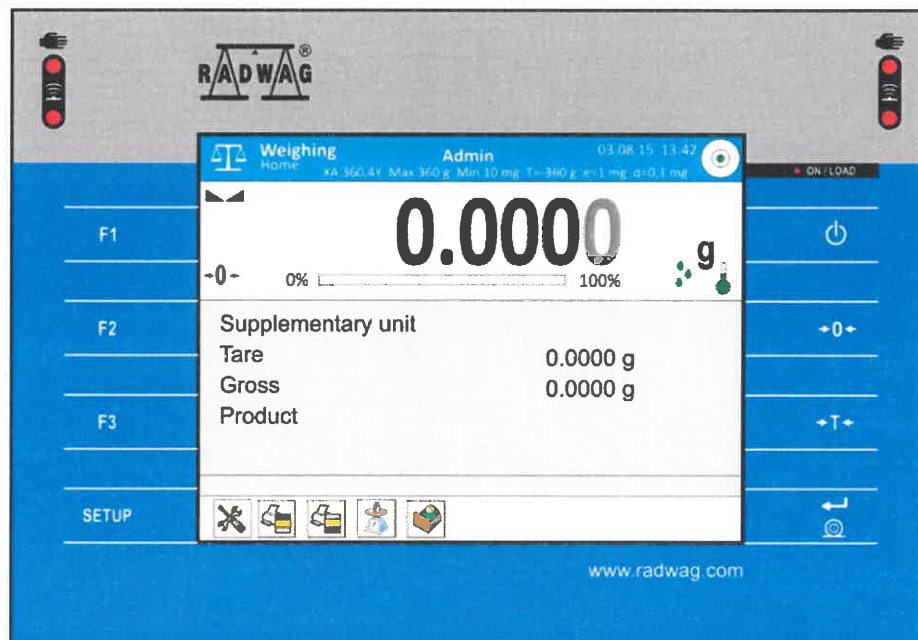


Access to factory settings

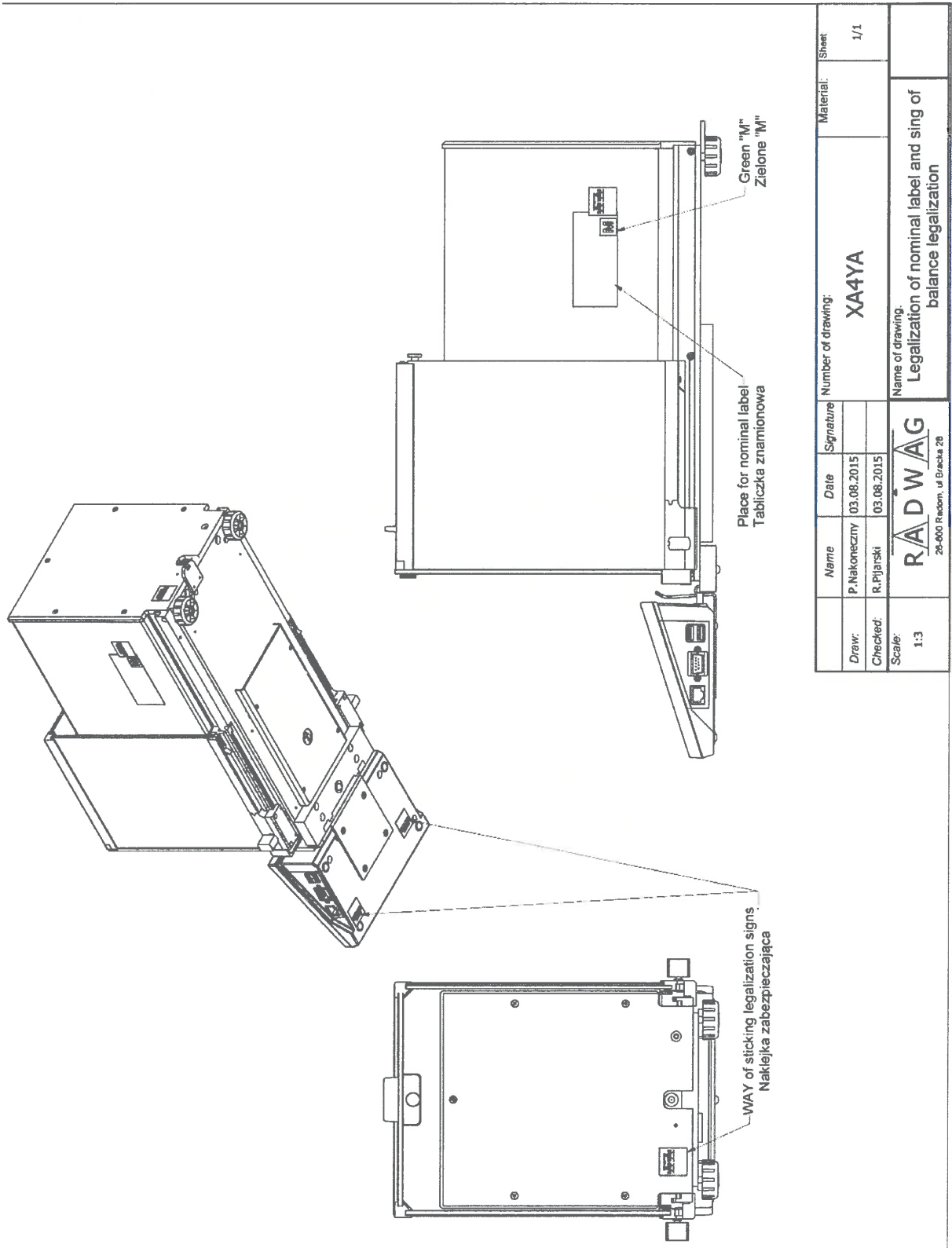
DISPLAY and KEYBOARD
MYA xxx.4Y
Figure No. 08



DISPLAY and KEYBOARD
XA xxx.4Y
Figure No. 09

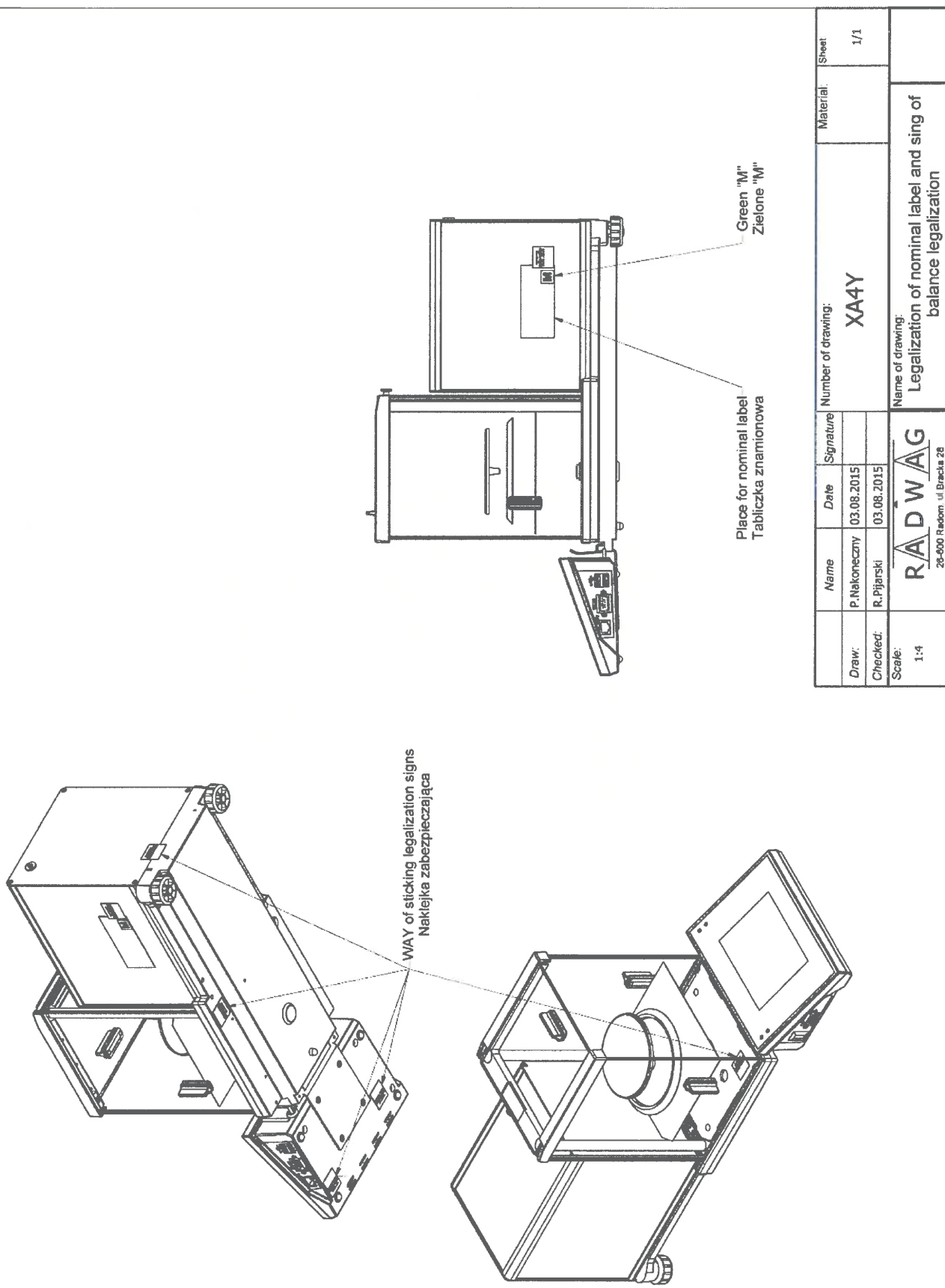


SEALING – XA xxx.4Y.A
Figure No. 09



Name	Date	Signature	Number of drawing:	Material:	Sheet
Draw: P. Nakoneczny	03.08.2015		XA4YA		1/1
Checked: R. Piłarski	03.08.2015				
Scale: 1:3					
RADWAG 26-900 Radom, ul. Bracka 2B			Name of drawing: Legalization of nominal label and sing of balance legalization		

SEALING – XA xxx.4Y
Figure No. 10



Draw:	Name	Date	Signature	Number of drawing:	Material:	Sheet
Checked:	P. Nakoneczny	03.08.2015		XA4Y		1/1
Scale:	R. Pijarski	03.08.2015				
1:4	RADWAG 28-000 Radom, ul. Bracka 28			Name of drawing: Legalization of nominal label and sing of balance legalization		

SEALING – MYA xxx.4Y
Figure No. 11

