



OIML Member State
Denmark

OIML Certificate No.
R60/2017-A-DK2-2023.02

OIML CERTIFICATE ISSUED UNDER SCHEME A

OIML Issuing Authority

Name: **FORCE Certification A/S**
Address: **Park Allé 345, 2605 Brøndby, Denmark**
Person responsible: **Leif Madsen**

Applicant

Name: **Esit Elektronik A.Ş.**
Address: **Nişantepe Mah. Gelinçiçeği Sok. No.36
Çekmeköy
34794 Istanbul
Turkey**

Manufacturer **Esit Elektronik A.Ş.**

Identification of the certified type (*the detailed characteristics will be defined in the additional pages*)

SCD

Designation of the module (*if applicable*)

A compression type digital load cell

This OIML Certificate attests the conformity of the above identified type (represented by the sample(s) identified in the OIML type evaluation report) with the requirements of the following Recommendation of the International Organization of Legal Metrology (OIML):

OIML R 60, Edition (year): 2017

For accuracy class (if applicable): **C6**

**OIML Certificate No.
R60/2017-A-DK2-2023.02**

This OIML Certificate relates only to metrological and technical characteristics of the type of measuring instrument covered by the relevant OIML Recommendation identified above.

This OIML Certificate does not bestow any form of legal international approval.

The conformity was established by the results of tests and examinations provided in the associated OIML reports:

Type examination report: No. YH.22-0002, dated 29 June 2022, that includes 18 pages

Type examination report: No. 122-27580.10, dated 12 October 2022, that includes 15 pages

Type evaluation report: No. 122-27580.90.20, dated 05 January 2023, that includes 8 pages

The technical documentation relating to the identified type is contained in documentation file:
122-27580

OIML Certificate History

Revision No.	Date	Description of the modification
Initial version	21 February 2023	-

Identification, signature and stamp

The OIML Issuing Authority

FORCE Certification A/S

Date: 21 February 2023

Jens Hovgård Jensen

Certification Manager

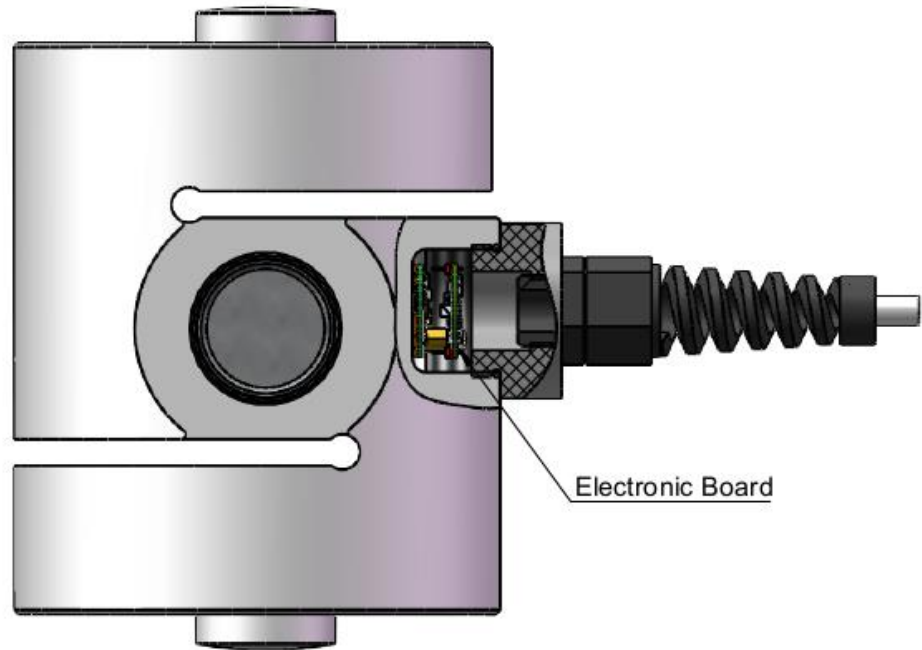
Important note: Apart from the mention of the Certificate's reference number and the name of the OIML Member State in which the Certificate is issued, partial quotation of the Certificate and of the associated OIML type evaluation report(s) is not permitted, although either may be reproduced in full.

Descriptive annex

Type designation		SCD
Accuracy class acc. to OIML R60		C10
Maximum number of intervals	n_{LC}	10000
Maximum capacity	E_{max}	10 to 20 t
Apportionment factor	p_{LC}	0.8
Minimum verification interval	v_{min}	0.0023 % E_{max}
Ratio of min LC verification interval	$Y = E_{max} / v_{min}$	43478
Minimum dead load output return	DR	0.0050 % E_{max}
Ratio of minimum dead load output return	$Z = E_{max} / 2 * DR$	10000
Minimum dead load	E_{min}	0 kg
Safe load limit	E_{lim}	150 % E_{max}
Warm-up time (before measuring)		0 minutes
Compensated temperature range	B_T	- 10...+40 °C
Humidity condition		CH
Degree of protection		IP68
Load cell material		Stainless steel
Cable		< 30 m CAN / RS485 cable with supply voltage

Software

The load cell has software version: 1.xx



(O I M L)

