



OIML Member State
Czech Republic

OIML Certificate No.
R76/2006-A-CZ1-24.02
Revision 1

OIML CERTIFICATE ISSUED UNDER SCHEME A

OIML Issuing Authority

Name: **Czech Metrology Institute**
Address: Okružní 31
638 00 Brno
Czech Republic

Person responsible: Jan Kalandra

Applicant

Name: **RADWAG Wagi Elektroniczne Witold Lewandowski**
Address: 5 Toruńska Street
26-600 Radom
Poland

Manufacturer

Name: **RADWAG Wagi Elektroniczne Witold Lewandowski**
Address: 5 Toruńska Street
26-600 Radom
Poland

Identification of the certified type *(the detailed characteristics will be defined in the additional pages)*

Non-automatic weighing instrument
type AS xxx.5Y.yyy, PS xxx.5Y.yyy, PS xxx.5Y.M.yyy and MA xxx.5Y.yyy

Designation of the module *(if applicable)*

-

This OIML Certificate attests the conformity of the above identified type (represented by the sample(s) identified in the OIML type evaluation report) with the requirements of the following Recommendation of the International Organization of Legal Metrology (OIML):

OIML R 76

Edition (year): 2006

For accuracy class (if applicable): **I, II**



This OIML Certificate relates only to metrological and technical characteristics of the type of measuring instrument covered by the relevant OIML Recommendation identified above.

This OIML Certificate does not bestow any form of legal international approval.

The conformity was established by the results of tests and examinations provided in the associated reports:

Test report No. 6052-PT-R0005-24 dated 17.6.2024 that includes 51 pages.

Test report No. 6052-PT-R0006-24 dated 17.6.2024 that includes 45 pages.

Test report No. 6052-PT-R0007-24 dated 17.6.2024 that includes 52 pages.

Test report No. 6052-PT-R0019-24 dated 17.9.2024 that includes 41 pages.

Test report No. 6052-PT-R0020-24 dated 17.9.2024 that includes 42 pages.

Test report No. 8551-PT-E0015-24 dated 25.4.2024 that includes 44 pages.

Test report No. 8551-PT-E0016-24 dated 17.6.2024 that includes 42 pages.

OIML type evaluation report 0511-ER-N101-24 dated 14.10.2024 that includes 6 pages.

The technical documentation relating to the identified type is contained in documentation file:

0511-UL-N101-24

OIML Certificate History

Revision No.	Date	Description of the modification
	22 July 2024	Issuing of certificate
Revision 1	6 November 2024	Multi range version

The OIML Issuing Authority

RNDr. Pavel Klenovský

Director of Certification Body

Date: 6 November 2024



Important note: Apart from the mention of the Certificate's reference number and the name of the OIML Member State in which the Certificate is issued, partial quotation of the Certificate and of the associated OIML type evaluation report(s) is not permitted, although either may be reproduced in full.

General information and basic characteristics

Instrument AS xxx.5Y.yyy, PS xxx.5Y.yyy, PS xxx.5Y.M.yyy and MA xxx.5Y.yyy series (where: xxx – maximum range, yyy – optional design) consists of AS, PS or MA weighing module which is connected to 5Y terminal.

Main metrological characteristic

Model	AS xxx.5Y.yyy	PS xxx.5Y.yyy	PS xxx.5Y.M.yyy	MA xxx.5Y.yyy
Accuracy class	class I	class II	class II	class I and II
Maximum n	$n \leq 310\ 000$	$n \leq 100\ 000$	$n \leq 81\ 000$	$n \leq 210\ 000$
Maximum capacity	Max $\leq 310\ g$ or Max $\leq 1550\ ct$	Max $\leq 5\ 000\ g$ or Max $\leq 25\ 000\ ct$	Max $\leq 8\ 100\ g$ or Max $\leq 40\ 500\ ct$	Max $\leq 210\ g$
e	$e \geq 1\ mg$	$e \geq 10\ mg$	$e \geq 100\ mg$	$e \geq 1\ mg$
d	$0.01e \leq d \leq e$	$0.1e \leq d \leq e$	$0.1e \leq d \leq e$	$0.1e \leq d \leq e$
Maximum pan size	$\varnothing 100\ mm$	128 x 128 mm	195 x 195 mm	$\varnothing 90\ mm$
Protection Class	IP43			
Power supply (AS, PS)	12-15 V DC / 1.6A			
Power supply (MA)	200V-240V AC 50/60Hz			
Working temperature	+10 °C / +40 °C			
Embedded software version	1.0.0 or 1.0.1			
Closed shell software version	LL2.0 or LL2.0 W (MA xxx.5Y.yyy)			

Table 1 Metrological and technical specifications

Devices and functions

- Semi-automatic zero-setting device
- Initial zero-setting device $\leq 20\%$ Max
- Zero-tracking device $\leq 4\%$ Max
- Tare device
- Indication stabilization device
- Service menu via switch S1 on the main board
- Internal adjustment
- Gravity compensation
- Single or multi range

Interfaces

Interfaces used must comply with point 5.3.6 of OIML R76:2006. Following types of interfaces are used in 5Y Series Balance: 2x USB-A, USB-C, HDMI, Ethernet, Wi-Fi, Hotspot.

It is possible to connect the IM02 communication module. In its standard design, the IM02 communication module expands the range of interfaces to include RS 232 IM02, Virtual COM, 4WE/4WY.

Software

Determining the weighing result and its status is performed by the embedded software during measurement in real time. Then the weighing result and the status is transmitted in digital form via protected interface to a weighing indicator operating as a terminal for displaying and/or printing weighing results and having a touch screen for operator's interaction with the weighing instrument e.g. editing and entering parameters, zeroing, tarring etc.

The valid software version is **1.0.0** or **1.0.1**.

Software version of weighing terminals is: **LL2.0** or **LL2.0 W** (MA xxx.5Y.yyy).

Software version is visible after pressing a top bar on the main display.



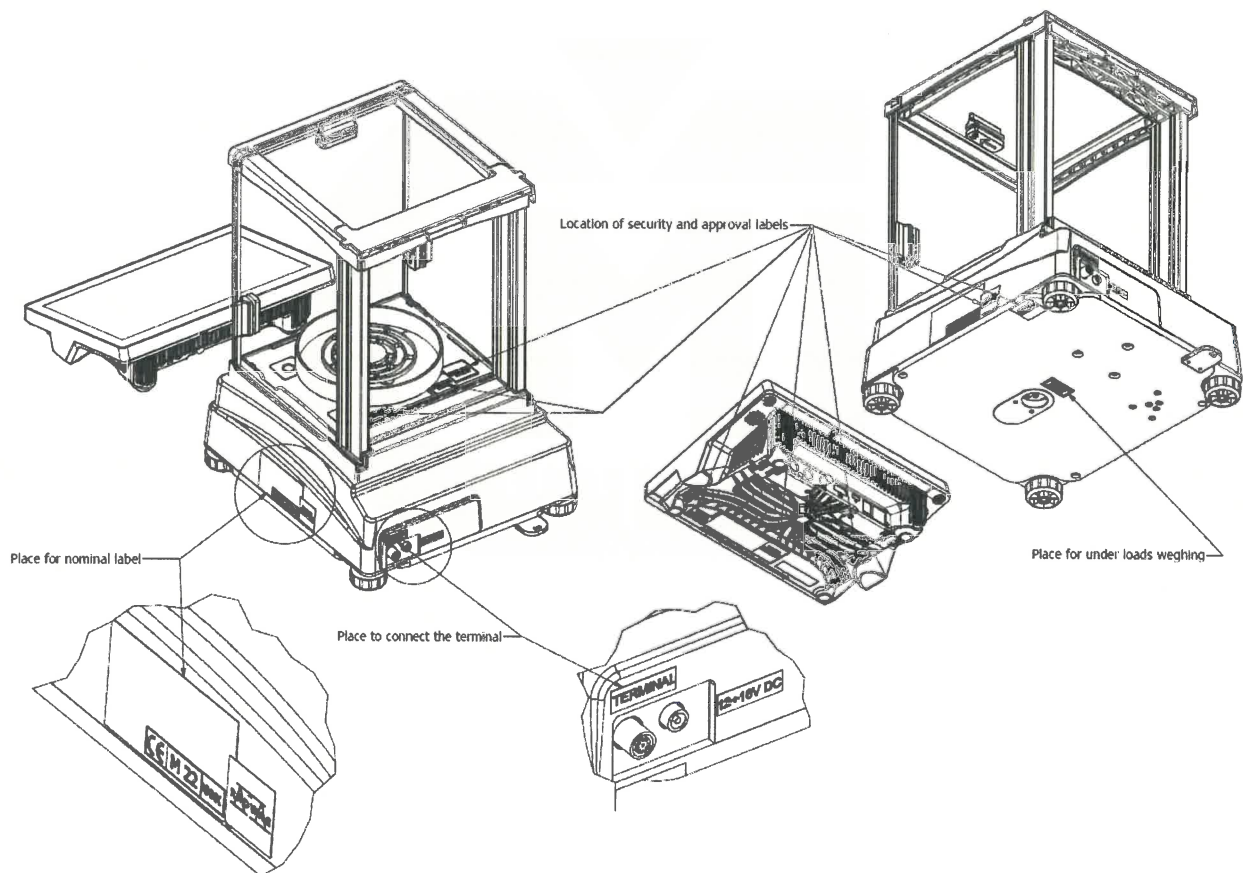
DSD Alibi Memory

The 5Y family of balances operates on Linux operating system. They are designed as closed shell systems protected against running applications other than the one loaded in the internal flash memory by the manufacturer. Databases are saved as files. The additional protection is placing the system image and program on the same flash memory as databases. In case of any malfunction detected, the uploading fails and the device will not start.

The alibi memory is organised using the database of weighings. In factory parameters, the manufacturer or distributors choose global parameter Quantity of stored weighing records. If all records in this protected database are filled the next record will be still saved in database of weighings. It is advisable to use parameter **Quantity of stored weighing records set to 500 000 by default** (can be increased in factory parameters) to protect DSD data in the view of recommendations included in WELMEC 2.5.

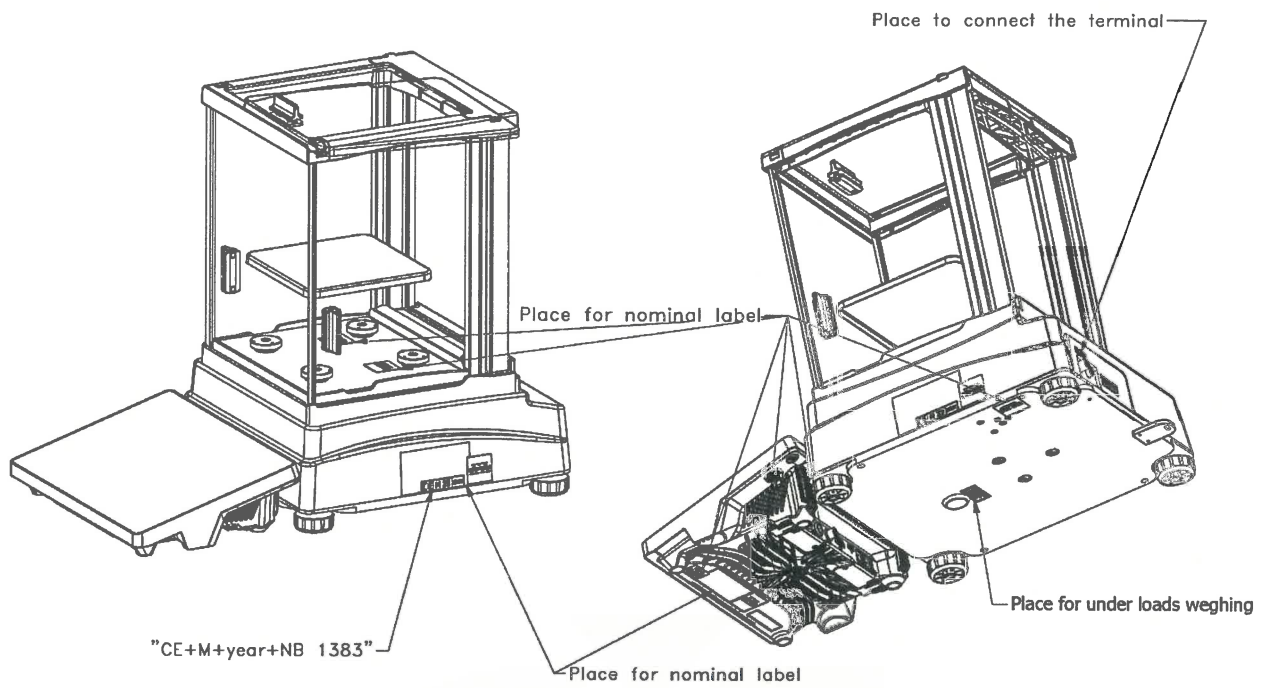
Securing components and verification marks

The data plate shall be secured against removal by sealing or will be destroyed when removed. The switch SW1 for adjusting and other factory settings is placed on the main board of the terminal. The cover and calibration switch are secured by a sticker in accordance with the drawings 1 - 4 bellow.

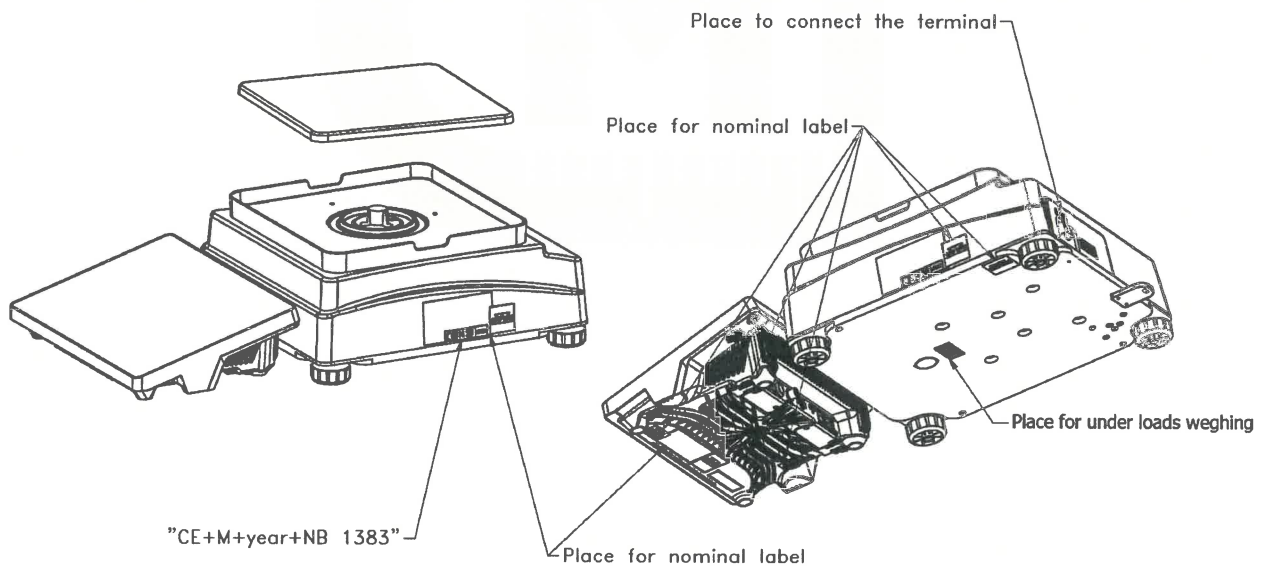


Drawing 1 Localization of securing and nominal labels AS.5Y



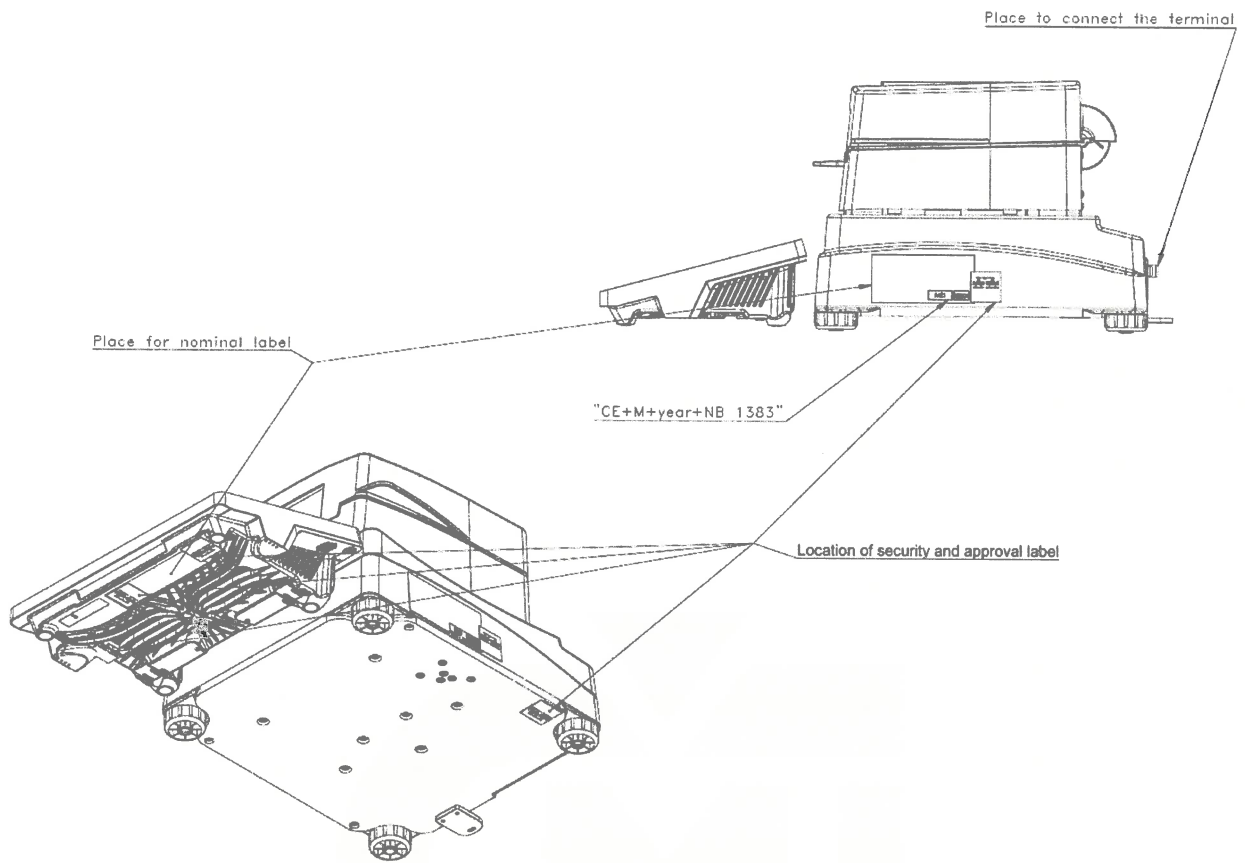


Drawing 2 Localization of securing and nominal labels PS.5Y



Drawing 3 Localization of securing and nominal labels PS.5Y.M





Drawing 4 Localization of securing and nominal labels MA.5Y

